

Introduction

This is a professional hot wire cutter for insulation board
The block is ready in a few seconds by the release button

Recommended

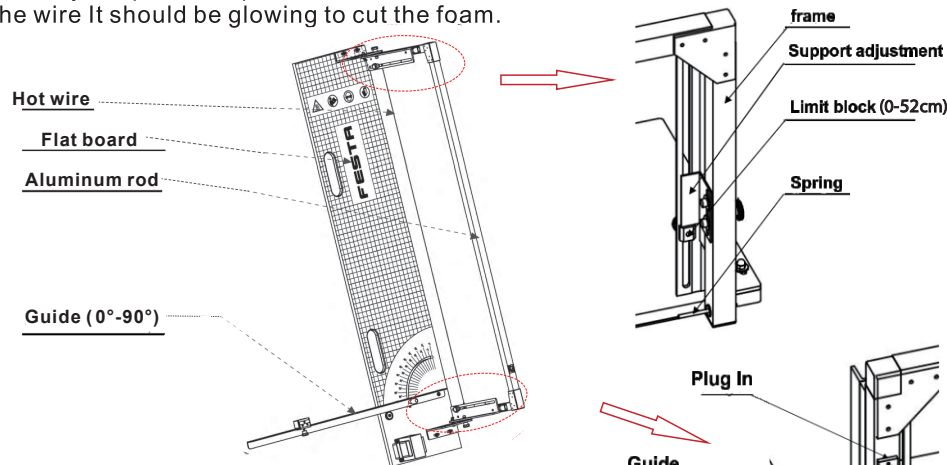
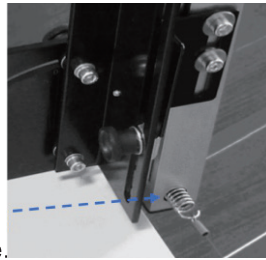
Polystyrene (EPS) extruded polystyrene (XPS), can be easily cut off and
Cutting procedures.

Installation line

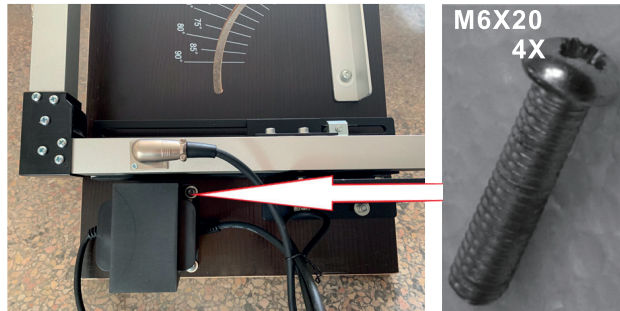
NOTE: Always unplug the power cord before installing or remove the wire.
Allow sufficient time for cooling holders of wire and wire (soft).
Insert one end of the wire into the hook of the first spring and at the same
time pull (without exaggeration), then plug the other end of the wire in the second spring.

Warning

Excessive pressure button heating wire can cause damage to the transformer.
Use only the power required to make the cut.
The wire It should be glowing to cut the foam.



The installation of the transformer



Warning

After pressing the switch el. cutter, the cutting string will start to heat up. It is necessary for the entire time of
cutting hold the switch. Electrical switch the cutter must not be switched on for longer than the recommended
time indicated in the technical characteristics to avoid overheating of the power source or damage to the string.

Forms achievable

Rectangle		<ol style="list-style-type: none"> 1. Adjust grades vertical to 0°. 2. Adjust the guide to 0° 3. Cut by controlling the depth.
Ladder-shaped triangle		<ol style="list-style-type: none"> 1. Adjust grades vertical 0° 2. Adjust the guide to the cut to be made. 3. Cut controlling the depth.
Bevel cutting		<ol style="list-style-type: none"> 1. Adjust the degrees vertical by denomination to be carried out. 2. Adjust the guide to 0°. 3. Cut controlling depth
Gardens		<ol style="list-style-type: none"> 1. Adjust grades vertical to 0°. 2. Adjust driving at 0°. 3. Put the panel on driving. 4. Set the Limit Block to the desired thickness. 5. Vertical cut, then move the panel to the horizontal cut.
Canaletto		<ol style="list-style-type: none"> 1. Adjust grades vertical to 0°. 2. Adjust the guide to 0°. 3. Put the panel on the rail. 4. Lift the bow vertically. 5. Set the Limit Block to the desired thickness. 6. Vertical cut, then spstere panel forhorizontal cut according to the length of thegroove.

Technical features

Model	35344, (D6B)
Max. cutting length	137cm
Max. Cutting thick	52cm
Guide	0°-90°
Dimensions	1650 x 390 mm
Transformer	230V/50Hz/200W/IP44
Operation blinking Can	15s zap/45s vvp

Work environment

- Do not expose the tool to rain.
- Do not use the tool in damp or wet.
- Keep your work area well lighted.
- Do not use the tool in presence of flammable liquid or gas.

Keep Away other people

- Do not let persons, especially children, the layman to touch the tool or extension cord. — Replace Tool.
- When not in use, the tool must be stored in a dry, locked out reach of children.
- Do not damage the cable.— Do not pull the cord to unplug.

Keep the cord away from heat sources

- Shutdown. — Warning.
- Do not use, before the replacement of the hot wire, disconnect the tool from the power supply.
- Use only original hot wire to avoid the risk of damaging the machine.
- Please have the instrument repaired by qualified personnel.