

Instructions for use Digital angle finder 300 mm (26216)



Technical specifications

Measuring range	0.0° - 225.0°
Resolution	0.1°
Accuracy	± 0.3°
Battery	3V lithium battery
Working temperature	0°C – 40°C
Working humidity	≤ 85% RH
Temperature of transport and storage	-10°C to 50°C

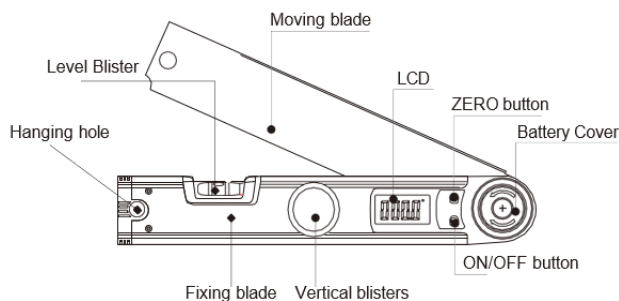
Application

1. Angle measurement in construction, wood working, machining, household DIY application.
2. Conversion between absolute measurement and relative measurement, large LCD display, easy operation.
3. Easy to measure all kinds of angle.

Battery

1. To install or replace battery, push the battery cover and rotate it according to the OPEN indicator by using your middle finger and index finger. Then the cover could be removed.
2. Replace or install CR2032 3V Lithium Battery. Please make sure the negative pole and positive pole are on the right side.
3. Put the battery cover back to the battery case correctly. Push and rotate the battery cover according to the CLOSE indicator.

Appearance



Function

ON/OFF: Short press to power-on or screen off.

Long press to power off digital angle finder and reset data.

ZERO: Zero reset at any position.

1. Automatically shuts off LCD after 5 minutes inactivity.
2. Move the scale or press ON/OFF to turn on LCD while LCD is off.
3. Same ZERO position after LCD turns on again as before LCD shuts off.
4. All data will be automatically reset and the device will turn off after a long press ON/OFF button.

Operation instruction

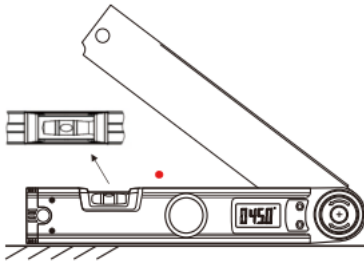
Absolute angle measurement

1. Move the moving blade and make it tightly lean on the fixed blade. Then press ZERO to reset the device.
2. If $13^\circ < \text{measured angle} < 180^\circ$, use the top surface of fixed blade and bottom edge of moving blade to measure target angle. The value shows on LCD.
3. If $180^\circ \leq \text{measured angle} < 225^\circ$, use the bottom surface of fixed blade and top edge of moving blade to measure target angle. The value shows on LCD.

Relative angle measurement

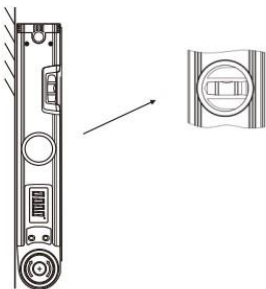
1. Adjust the position of fixed blade and moving blade to one measure angle ($13^\circ < \text{measure angle} < 180^\circ$). Press ZERO to reset the device.
2. Use the top surface of fixed blade and bottom edge of moving blade to measure the other angle ($13^\circ < \text{measure angle} < 180^\circ$). The difference between the two angles shows on LCD.
3. If $180^\circ \leq \text{measured angle} < 225^\circ$, please refer to the method of absolute angle measurement.

Horizontal measurement



Place fixed blade on the measured surface. If the bubble inside the vial stays between the marks on the vial's surface, the measured surface is horizontal.

Vertical measurement



Place the bottom side of fixed blade tightly on the measured surface. If the bubble inside the vial stays between the marks on the vial's surface, the measured surface is vertical.

Trouble shooting

Fault	Possible cause	Solution
No display, fuzzy display or disordered display	No battery, wrong battery installation or low battery	Install battery again or replace battery
Flashing digits	Low battery	Replace battery
Erract or frozen display	Internal error	Remove battery and replace battery after waiting 1 minute

Maintenance

1. Do not clear the device with organic solvent, clean the device with damp cloth. Prevent from water and corrosion.
2. This is a sensitive precision tool and should be prevented from crash. If there is any abrasion or accident during using please reset ZERO before a new measurement.
3. The device must be stored indoor (temperature -10°C to 50°C , humidity $\leq 85\%$).

The importer: Levior s. r. o.